

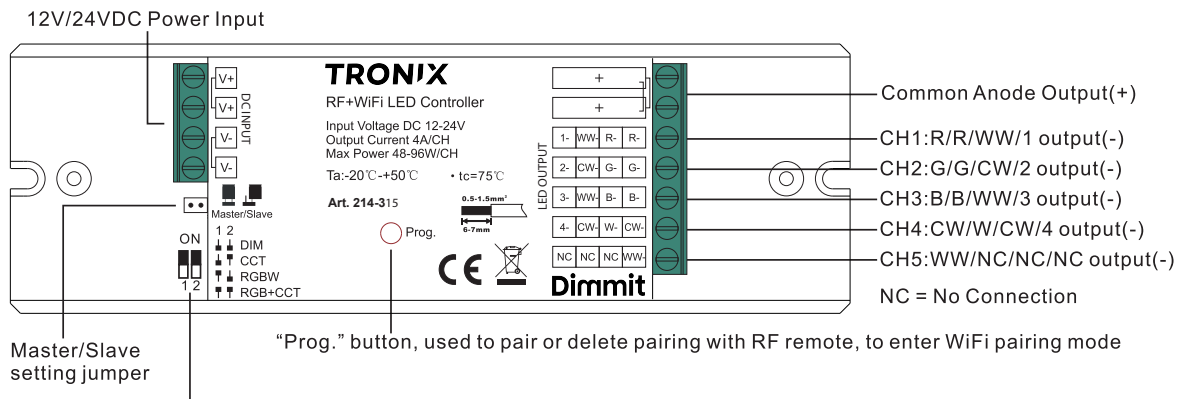
4 in 1 RF+WiFi LED Controller

Article: 214-315



Important: Read All Instructions Prior to Installation

Function introduction



Dial switch for device mode selection, DIM, CCT, RGBW and RGB+CCT 4 modes are available, factory default is RGB+CCT mode

Product Data

No.	Input Voltage	Output Current	Output Power	Remarks	Size(LxWxH)
1	12-24VDC	5x4A	5x(48-96)W	Constant voltage	145x46.5x16mm

- RF+WiFi LED controller
- 5 channels 12/24V constant voltage output
- Max. 4A output per channel
- RF frequency: 434/869.6/916.5MHz
- Compatible with universal legacy RF remotes
- Waterproof grade: IP20

Safety & Warnings

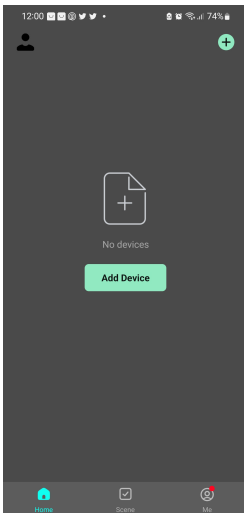
- DO NOT install with power applied to device.
- DO NOT expose the device to moisture.

Operation

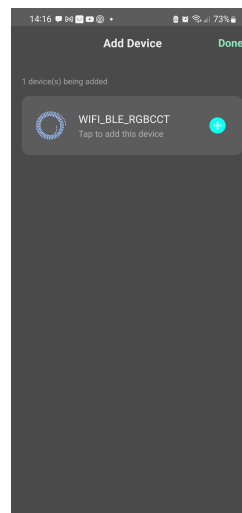
1. Do wiring according to wiring diagram.

2. Pair the WiFi LED controller to the smart phone or tablet:

Step 2.1: Download the “TuyaSmart” APP from APP store or google play, and register an account as instructed, then log in the account. **Please enable bluetooth on your smart phone in advance.**

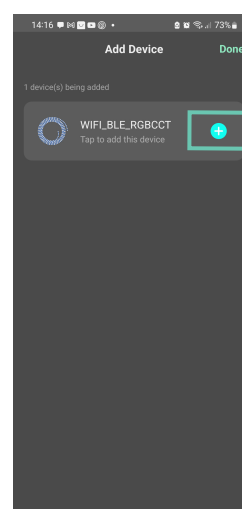
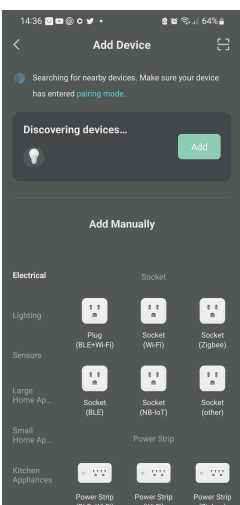


Step 2.3: Once discovered, add the WiFi dimmer, and select the WiFi network that the smart phone connected. Then connecting starts.

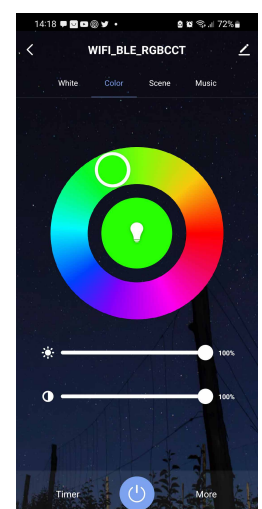


Step 2.2: Short press the “Prog” button 5 times continuously (or reset power of the controller 5 times) to reset the WiFi LED controller and set it to WiFi pairing mode, LED light will blink rapidly, then tap “Add Device” to pair the WiFi LED controller to the smart phone.

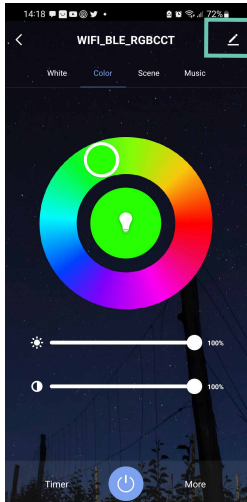
Step 2.4: You can control the WiFi LED controller through the APP.



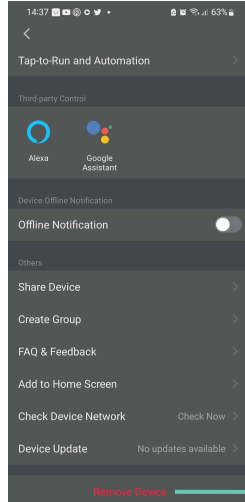
Tap to finish adding.



3. Remove the WiFi LED controller from the APP interface.



Tap to enter device edit interface.



Tap to remove.

4. Pair the LED Controller with an RF Remote (please refer to user manual of corresponding RF remote)

Step 4.1: activate the RF remote by short pressing ON button.

Step 4.2: select a zone on the RF remote by short pressing the zone number if it is a multi-zone remote.

Step 4.3: short press "Prog." key on the LED controller (or reset power 3 times) to set it to RF pairing mode.

Step 4.4: immediately touch the color wheel or short press any other button except on/off button on the remote.

Step 4.5: LED lights connected with the controller blinks once to indicate successful pairing.

5. Delete Pairing to RF Remotes

Step 1: press and hold the "Prog." button for over 3 seconds until the connected LED lights blink, which means the pairing is deleted successfully.

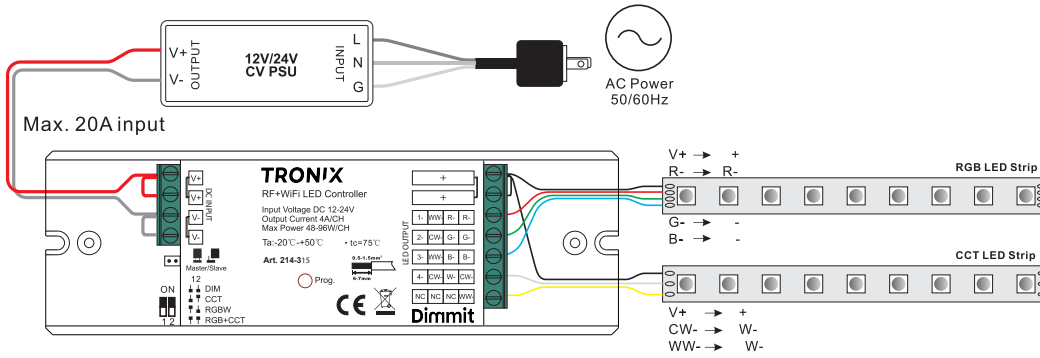
6. Master and Slave Setting:

1. The receiver has both master and slave functions which can be set with a jumper. Short circuit of the jumper means master function, and open circuit means slave function. Once short circuit the jumper on a receiver, please power off and power on the receiver to enable master function. Setting master and slave enables perfect synchronization of color changing effects.

2. Set one receiver as master and pair it to any zone of a remote, and this zone shall only have one receiver which works as master. Set all other receivers as slave and pair them to other zones of the remote, and multiple receivers can be paired to each zone. Then choose all zones on the remote and play the color changing effects, the master will send sync signal to the slaves to achieve perfect synchronization. The max. sync distance between the master and any slave is within 30m.

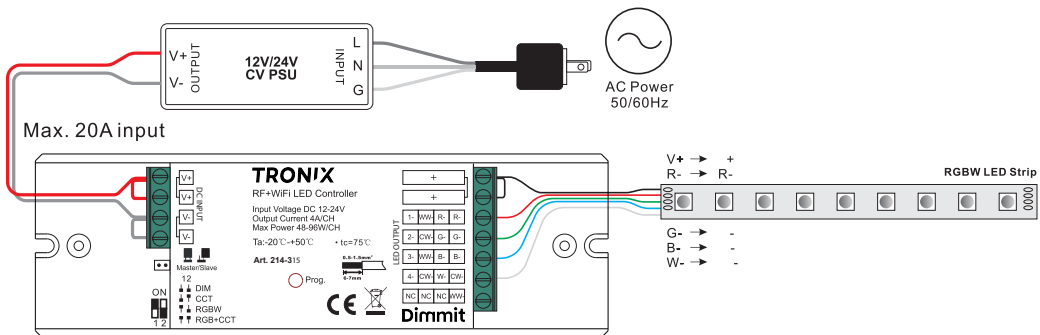
Wiring Diagram

1) RGB+CCT Mode



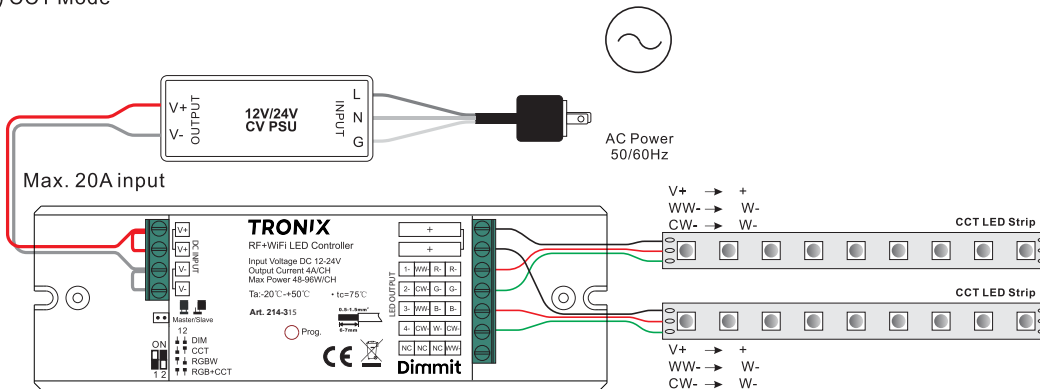
Note: please make sure the dip switches are at position for RGB+CCT mode as shown in above diagram.

2) RGBW Mode



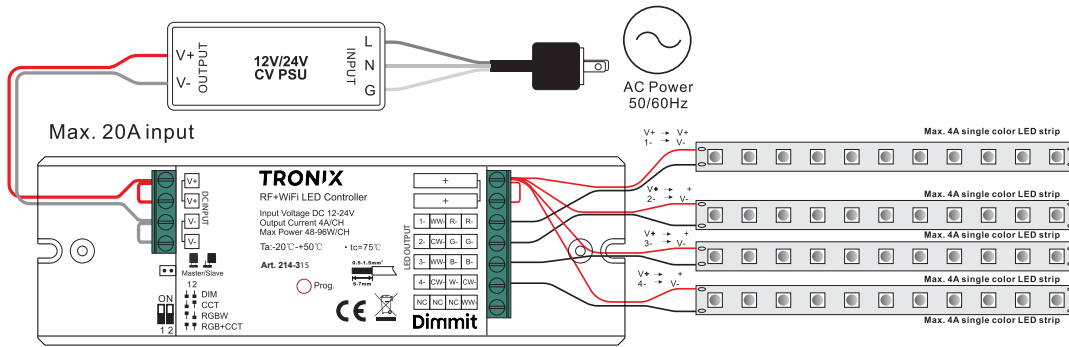
Note: please make sure the dial switches are at position for RGBW mode as shown in above diagram.

3) CCT Mode



Note: please make sure the dial switches are at position for CCT mode as shown in above diagram.

4) DIM Mode



Note: please make sure the dip switches are at position for DIM mode as shown in above diagram.